

**Wiring Diagram**

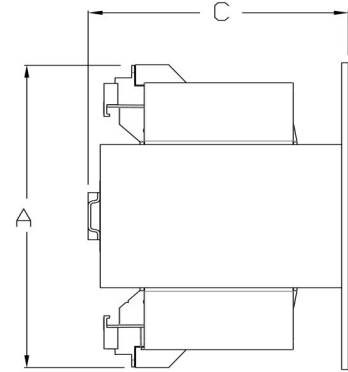
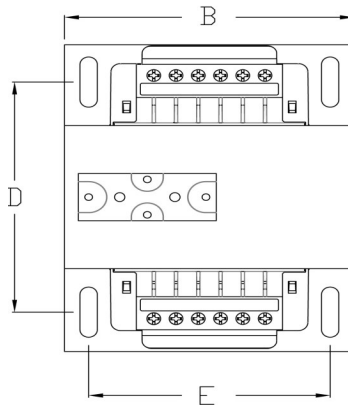


Image is a general representation of a typical MAG Control Transformer without fusing accessories or jumper links. Transformers 50VA - 350VA have 4 terminals per side, and units 500VA and higher have 6 terminals per side.

## BS SERIES

<b>PRI</b>	<b>SEC</b>
<b>240 X 480</b>	<b>24</b>

### Approximate Dimensions and Weight

VA Rating	MPC Part #	Max Depth (A)	Max Width (B)	Max Height (C)	Mounting Depth (D)	Mounting Depth (E)	Mounting Hole Depth	Mounting Hole Width	Shipping Weight (lbs.)
50	MPC2-1B050BSU-FO	3.32	3.00	2.79	2.00	2.50	0.20	0.41	2.60
75	MPC2-1B075BSU-FO	3.82	3.00	2.79	2.50	2.50	0.20	0.41	3.50
100	MPC2-1B100BSU-FO	3.78	3.38	3.11	2.38	2.81	0.20	0.41	4.20
150	MPC2-2B150BSU-FO	4.27	3.75	3.42	2.88	3.13	0.20	0.41	6.70
200	MPC2-2B200BSU-FO	4.35	3.75	3.42	2.88	3.13	0.20	0.41	7.25
250	MPC2-2B250BSU-FO	4.55	4.50	4.04	2.88	3.75	0.20	0.41	10.00
300	MPC2-2B300BSU-FO	5.10	4.50	4.04	2.88	3.75	0.20	0.41	11.50
350	MPC2-2B350BSU-FO	5.28	4.50	4.04	3.75	3.75	0.20	0.41	13.60
500	MPC2-2B500BSU-FO	5.75	5.25	4.66	4.25	4.38	0.31	1.06	15.75
750	MPC2-2B750BSU-*	7.00	5.25	4.66	5.38	4.38	0.31	1.06	28.10

**\*This model is not available with the FO option (Consider F1)**

- **Change end suffix for added options**
- **Add C to suffix for the covers**

### Notes:

- Jumper Link and Fuse Clip Height not included
- Add 5/16" to the Depth when fuse clips are included.(50 thru 350VA)
- Add 1/2" to the Height when fuse block is included (1, 2, and 3 poles) (500 thru 5000VA)
- Add 1 3/8" to the Height when fuse block is included (1, 2, and 3 poles) (50 thru 350VA)