

**Wiring Diagram**

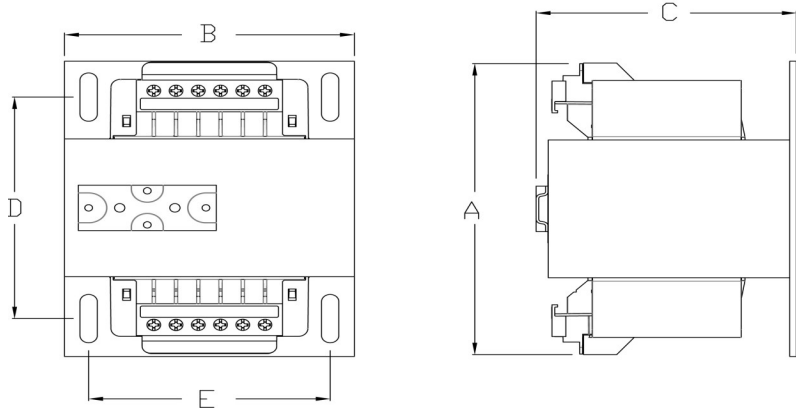


Image is a general representation of a typical MAG Control Transformer without fusing accessories or jumper links. Transformers 50VA - 350VA have 4 terminals per side, and units 500VA and higher have 6 terminals per side.

## BA SERIES

|                  |                  |
|------------------|------------------|
| <b>PRI</b>       | <b>SEC</b>       |
| <b>240 X 480</b> | <b>120 X 240</b> |

### Approximate Dimensions and Weight

| VA Rating | MPC Part #       | Max Depth (A) | Max Width (B) | Max Height (C) | Mounting Depth (D) | Mounting Depth (E) | Mounting Hole |       | Shipping      |
|-----------|------------------|---------------|---------------|----------------|--------------------|--------------------|---------------|-------|---------------|
|           |                  |               |               |                |                    |                    | Depth         | Width | Weight (lbs.) |
| 50        | MPC2-1B050BAU-*  | 3.41          | 3.00          | 2.79           | 2.00               | 2.50               | 0.20          | 0.41  | 2.60          |
| 75        | MPC2-1B075BAU-*  | 3.91          | 3.00          | 2.79           | 2.50               | 2.50               | 0.20          | 0.41  | 3.50          |
| 100       | MPC2-1B100BAU-*  | 3.86          | 3.38          | 3.10           | 2.38               | 2.81               | 0.20          | 0.41  | 4.20          |
| 150       | MPC2-2B150BAU-*  | 4.36          | 3.75          | 3.41           | 2.88               | 3.13               | 0.20          | 0.41  | 6.70          |
| 200       | MPC2-2B200BAU-*  | 4.14          | 4.50          | 4.04           | 2.50               | 3.75               | 0.20          | 0.41  | 8.50          |
| 250       | MPC2-2B250BAU-*  | 4.64          | 4.50          | 4.04           | 2.88               | 3.75               | 0.20          | 0.41  | 10.00         |
| 300       | MPC2-2B300BAU-*  | 4.64          | 4.50          | 4.04           | 3.25               | 3.75               | 0.20          | 0.41  | 11.30         |
| 350       | MPC2-2B350BAU-*  | 5.37          | 4.50          | 4.04           | 3.75               | 3.75               | 0.20          | 0.41  | 13.60         |
| 500       | MPC2-2B500BAU-FO | 5.75          | 5.25          | 4.66           | 4.25               | 4.38               | 0.31          | 1.06  | 17.25         |
| 750       | MPC2-2B750BAU-FO | 6.74          | 5.25          | 4.66           | 5.38               | 4.38               | 0.31          | 1.06  | 28.10         |
| 1,000     | MPC2-1H1K0BAU-FO | 7.01          | 7.00          | 5.65           | 5.38               | 4.38               | 0.31          | 1.06  | 29.80         |
| 1,500     | MPC2-1H1K5BAU-FO | 8.00          | 7.00          | 5.65           | 4.50               | 6.13               | 0.31          | 1.06  | 30.00         |
| 2,000     | MPC2-1H2K0BAU-FO | 8.76          | 7.00          | 5.65           | 5.13               | 6.13               | 0.31          | 1.06  | 38.00         |
| 3,000     | MPC2-1H3K0BAU-** | 8.14          | 9.00          | 7.62           | 4.25               | 6.50               | 0.44          | 1.00  | 53.00         |
| 5,000     | MPC2-1H5K0BAU-** | 9.14          | 9.00          | 7.62           | 7.25               | 7.50               | 0.44          | 1.00  | 89.00         |

\* This model is not available with the FO option (Consider F1)

\*\* No Fuse Kit is available for this model

- Change end suffix for added options
- Add C to suffix for the covers

**Notes:**

- Jumper Link and Fuse Clip Height not included
- Add 5/16" to the Depth when fuse clips are included.(50 thru 350VA)
- Add 1/2" to the Height when fuse block is included (1, 2, and 3 poles) (500 thru 5000VA)
- Add 1 3/8" to the Height when fuse block is included (1, 2, and 3 poles) (50 thru 350VA)